

2021 Beef Cow AI Protocols

PG estroPLAN, Estrumate, In-Synch, Lutalyse, Lutalyse® HighCon, ProstaMate, SYNCHSURE

GnRH Cystorelin, Factrel, Fertagyl, GONABreed, OvaCyst

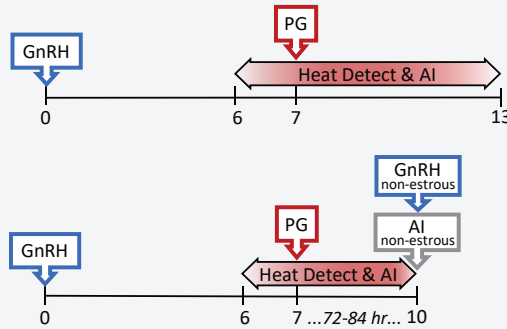
CIDR Intravaginal progesterone Controlled Internal Drug Release

Pharmaceutical products used for estrus synchronization should be administered at the label dose. Consult product packaging. Label-approved applications vary from product to product, and pharmaceutical products for synchronization should be used in the context of an ongoing veterinarian-client-patient relationship.

For more information on proper handling and administration of synchronization products, see University of Missouri Extension publication G2022, *Guide to Estrus Synchronization Products*.

Protocol recommendations are based on peer-reviewed research in the field of hormonal control of the bovine estrous cycle. This is not an exhaustive list of all possible protocols but provides commonly-used and effective options.

Select Synch



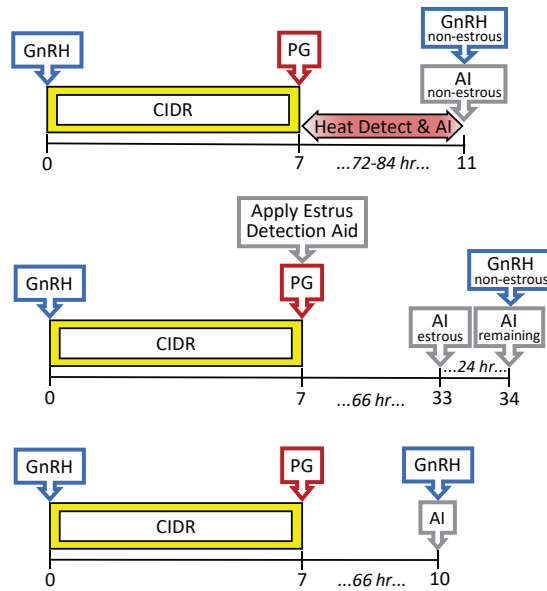
Heat Detection

Heat detect and AI based on AM-PM rule from day 6 to 13

Heat Detection + Timed AI

Heat detect and AI based on AM-PM rule from day 6 to 10; AI non-estrous cows at 72 - 84 hr after PG, with GnRH at AI

7-Day



Heat Detection + Timed AI

Heat detect and AI based on AM-PM rule from day 7 to 10; AI non-estrous cows at 72 - 84 hr after CIDR removal, with GnRH at AI

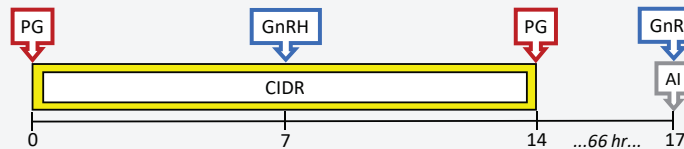
Split-Time AI

AI estrous cows at 66 ± 2 hr after CIDR removal; AI remaining cows 24 hr later, with GnRH at AI for non-estrous cows

Fixed-Time AI

AI all cows at 66 ± 2 hr after CIDR removal, with GnRH at AI

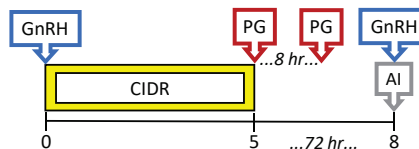
7 & 7 Synch



Fixed-Time AI

AI all cows at 66 ± 2 hr after CIDR removal, with GnRH at AI

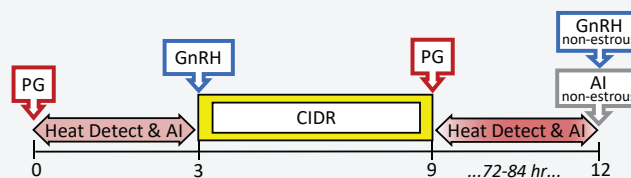
5-Day



Fixed-Time AI

AI all cows at 72 ± 2 hr after CIDR removal, with GnRH at AI

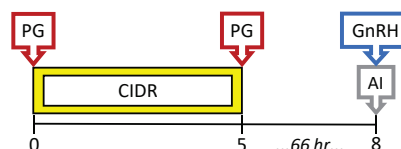
PG 6-Day CIDR



Heat Detection + Timed AI

Heat detect and AI based on AM-PM rule from day 0 to 3 and day 9 to 12; AI non-estrous cows at 72 - 84 hr after CIDR removal, with GnRH at AI

Bos indicus PG 5-Day CIDR



Fixed-Time AI

AI all cows at 66 ± 2 hr after CIDR removal, with GnRH at AI