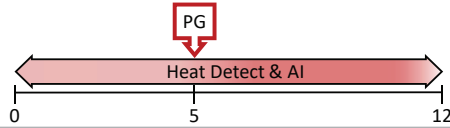


# 2021 Beef Heifer AI Protocols

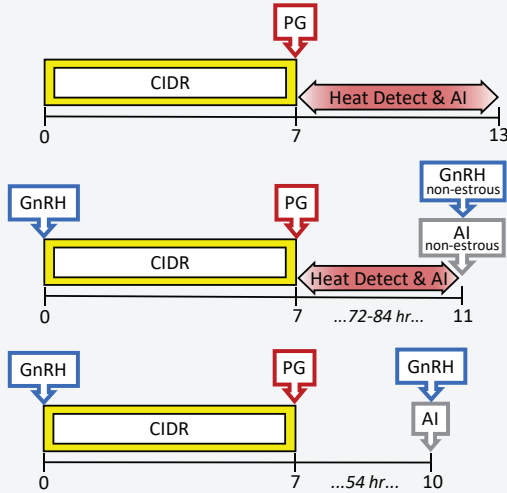
## 1-Shot PG



### Heat Detection

Heat detect and AI based on AM-PM rule from day 0 to 12

## 7-Day



### Heat Detection

Heat detect and AI based on AM-PM rule from day 7 to 13

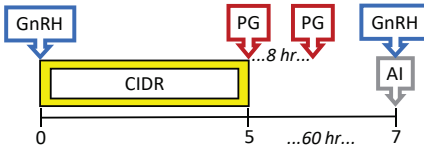
### Heat Detection + Timed AI

Heat detect & AI based on AM-PM rule day 7 to 10; AI non-estrous heifers 72 - 84 hr after CIDR removal, with GnRH at AI

### Fixed-Time AI

AI all heifers at 54 ± 2 hr after CIDR removal, with GnRH at AI

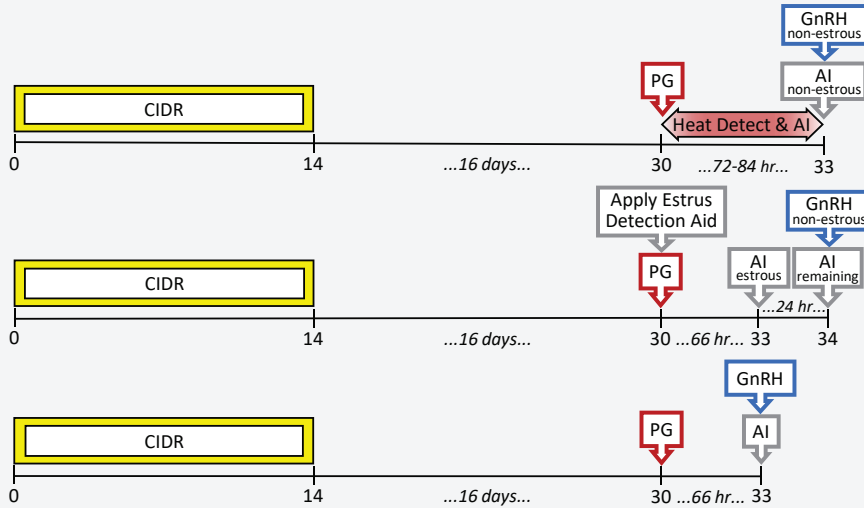
## 5-Day



### Fixed-Time AI

AI all heifers at 60 ± 4 hr after CIDR removal, with GnRH at AI

## 14-Day CIDR-PG



### Heat Detection + Timed AI

Heat detect & AI based on AM-PM rule day 30 to 33; AI non-estrous heifers at 70 - 84 hr after PG, with GnRH at AI

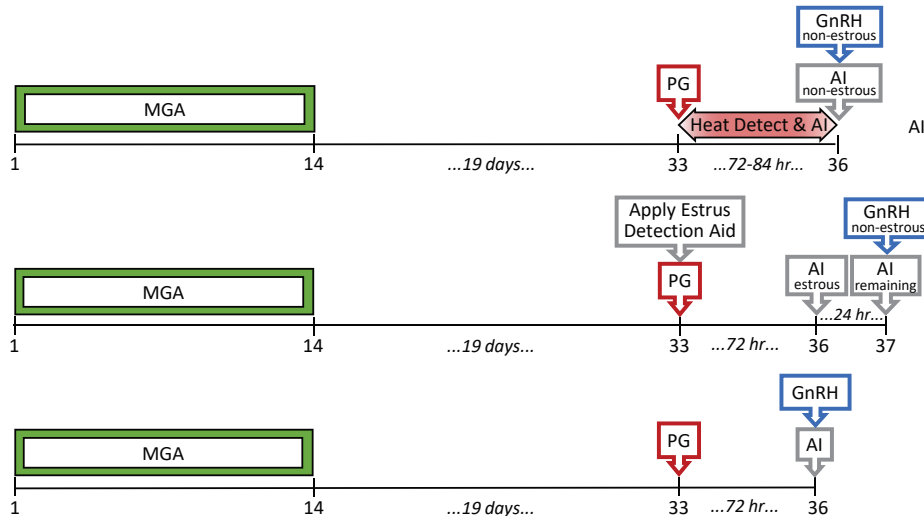
### Split-Time AI

AI estrous heifers at 66 ± 2 hr after PG; AI remaining heifers 24 hr later, with GnRH at AI for non-estrous heifers

### Fixed-Time AI

AI all heifers at 66 ± 2 hr after PG, with GnRH at AI

## MGA-PG



### Heat Detection + Timed AI

Heat detect and AI based on AM-PM rule from day 33 to 36; AI non-estrous heifers at 72 - 84 hr after PG, with GnRH at AI

### Split-Time AI

AI estrous heifers at 72 ± 2 hr after PG; AI remaining heifers 24 hr later, with GnRH at AI for non-estrous heifers

### Fixed-Time AI

AI all heifers at 72 ± 2 hr after PG, with GnRH at AI

**PG** estroPLAN, Estrumate, In-Synch, Lutalyse, Lutalyse *HighCon*, ProstaMate, SYNCHSURE

**GnRH** Cystorelin, Factrel, Fertagyl, GONABreed, OvaCyst

**CIDR** Intravaginal progesterone Controlled Internal Drug Release

**MGA** Melengestrol acetate feed additive: MGA, Heifermax

Pharmaceutical products used for estrus synchronization should be administered at the label dose. Consult product packaging. Label-approved applications vary from product to product, and pharmaceutical products for synchronization should be used in the context of an ongoing veterinarian-client-patient relationship.

Adapted from University of Missouri Extension publication G2025, *Estrus Synchronization Recommendations for Artificial Insemination of Beef Heifers*